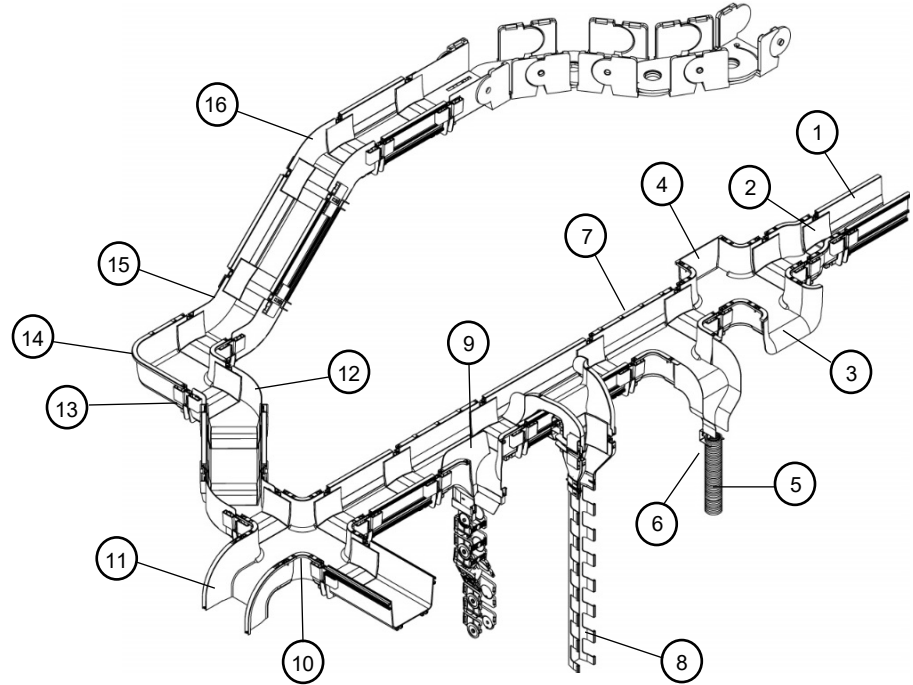


WaveTrax™ — Commscope FiberGuide Cross Reference

WaveTrax Diagram and Parts List

1. 6' Trough
2. Reducer
3. Trumpet attachment
4. End cap
5. Flexible tube
6. Flexible tube attachment
7. T-transition
8. Slotted duct
9. Center drop
10. Intersection
11. Drop attachment
12. 45° Elbow
13. Coupling kit
14. L-transition
15. Upsweep (45° or 90°)
16. 45° Downsweep



2" x 2" Systems

Diagram No.	Description	Part Number		Cover/Lid	
		Commscope FiberGuide	Amphenol WaveTrax	Commscope FiberGuide	Amphenol WaveTrax
1	Trough (6' section)	FGS-MSHA-C	027-2000-4206	Included	027-2000-4202
2	4" x 2" Reducer	FGS-MDSA-AC	027-2000-4050	Included	027-2000-4051
3	Trumpet attachment	FGS-MTRM-C	027-2000-4275	N/A	N/A
4	End cap	FGS-HMEC-C	027-2000-4208		
5	2" Flexible tube	FGS-MIDY	027-2902-0020		
6	Flex tube attachment, single	FGS-KT03-C	027-2000-2016		
7	T-transition	FGS-MHTA-C	027-2000-4210	Included	027-2000-4211
8	2" x 2" Vertical slotted duct	FGS-KTW1-JA	027-2000-4203	Included	Included
9	Center drop	FGS-MSDS-C	027-1000-4227	Included	
10	Intersection	FGS-MHXP-C	027-2000-4230		027-2000-4231
11	Drop attachment	FGS-MDSP-C	027-2000-4277	Included	027-2000-4278
12	45° Elbow	FGS-MH4A-C	027-1000-4289	Included	
13	Coupling kit	FGSB-MJWR-C	027-2000-4299	N/A	N/A
14	L-transition	FGS-MH9A-C	027-2000-4224	Included	027-2000-4225
15	45° Upsweep	FGS-MU4A-C	027-1000-4287	Included	
15	90° Upsweep	FGS-MU9A-C	027-1000-4273	Included	027-1000-4274
16	45° Downsweep	FGS-MD4A-C	027-1000-4288	Included	

2" x 2" Mounting Support Kits	Commscope FiberGuide	Amphenol WaveTrax
Center below bracket	FGS-HUFB-C	027-1000-4252
Cable rack bracket	FGS-HLR2-C	027-1000-4260
Universal bracket	FGA-BTBS-C	027-2000-4205
Threaded rod bracket	FGS-HTR2-5/8	027-1000-4251
Vertical adjustable bracket for slotted duct	FGS-HWMB-C	027-1000-4216
All-thread kit	FGS-HTHR, FGS-HLDR	027-1000-4002

4" x 4" Systems

Diagram No.	Description	Part Number		Cover/Lid	
		Commscope FiberGuide	Amphenol WaveTrax	Commscope FiberGuide	Amphenol WaveTrax
1	Trough (6' section)	FGS-MSHS-A	027-2000-4001	FGS-MSSC-A	027-2000-4002
2	4" x 2" Reducer	FGS-MDSA-AC	027-2000-4050	Included	027-2000-4051
2	6" x 4" Reducer	FGS-MDSA-AB	027-2000-6450	FGS-SDSA-AB	027-2000-6451
3	Trumpet attachment	FGS-MTRM-A	027-2000-4075	N/A	N/A
4	End cap; requires end attachment	FGS-HMEC-A	027-2000-4008	N/A	N/A
	End attachment	N/A	027-2000-4009	N/A	N/A
6	Flex tube attachment, single	FGS-KT03-A	027-2000-2000		027-2000-4018
6	Flex tube attachment, dual	FGS-KT03-B	027-2000-4016		027-2000-4018
7	T-transition	FGS-MHRT-A	027-2000-4010	FGS-SHRT-A	027-2000-4011
8	4" x 4" Vertical slotted duct	FGS-KTW2-K	027-2000-4403	Included	Included
9	Center drop	FGS-MDSP-A	027-2000-4426	FGS-MCDS-AB	027-2000-4427
10	Intersection	FGS-MHXP-A	027-2000-4030	FGS-SHXP-A	027-2000-4031
11	Drop attachment	FGS-MD9E-A	027-2000-4077	Included	027-2000-4078
12	45° Elbow	FGS-MH4E-A	027-1000-4489	FGS-SU4E-A	027-1000-4484
13	Coupling kit	FGSB-MFAW-A	027-2000-4099	N/A	N/A
14	L-transition	FGS-MH9E-A	027-2000-4024	FGS-SH9E-A	027-2000-4025
15	45° Upsweep	FGS-MU4E-A	027-1000-4487	FGS-SU4E-A	
15	90° Upsweep	FGS-MU9E-A	027-1000-4473	FGS-SU9E-A	027-1000-4474
16	45° Downsweep	FGS-MD4E-A	027-1000-4488	FGS-SD4E-A	

4" x 4" Mounting Support Kits	Commscope FiberGuide	Amphenol WaveTrax
Center below bracket	FGS-HTUB-XX	027-1000-4052
C-bracket	FGS-HNTS-XX	027-1000-4053
Cable rack bracket	FGS-HNLR-AB	027-1000-4062
Universal bracket	FGS-HNTR-XX	027-1000-4004
Threaded rod bracket	FGS-HETR-XX	027-1000-4051
Vertical adjustable bracket	FGS-HWMB-C	027-1000-4016
L-bracket kit	FGS-HLBK	027-1000-4054
All-thread kit	FGS-HTHR, FGS-HLDR	027-1000-4002

4" x 6" Systems

Diagram No.	Description	Part Number		Cover/Lid	
		Commscope FiberGuide	Amphenol WaveTrax	Commscope FiberGuide	Amphenol WaveTrax
1	Trough (6' section)	FGS-MSHS-B	027-2000-6401	FGS-MSSC-B/G	027-2000-6402
2	6" x 4" Reducer	FGS-MDSA-AB	027-2000-6450	FGS-SDSA-AB	027-2000-6451
2	12" x 6" Reducer	FGS-MDSA-FB	027-2000-12450	FGS-SDSA-FB	027-2000-6451
3	Trumpet attachment	FGS-MTRM-B	027-2000-6475	N/A	N/A
4	End cap; requires end attachment	FGS-HMEC-B	027-2000-6408	N/A	N/A
	End attachment	N/A	027-2000-6409	N/A	N/A
7	T-transition	FGS-MHRT-B	027-2000-6410	FGS-SHRT-B	027-2000-6411
9	Center drop	FGS-MDSP-B	027-2000-6426	FGS-MCDS-AB	027-2000-6427
10	Intersection	FGS-MHXP-B	027-2000-6430	FGS-SHXP-B	027-2000-6431
11	Drop attachment	FGS-MD9E-B	027-2000-6477	FGS-SD9E-B	027-2000-6478
12	45° Elbow	FGS-MH4E-B	027-1000-6489	FGS-SH4E-B	
13	Coupling kit	FGS-MFAW-B	027-2000-6499	N/A	N/A
14	L-Transition	FGS-MH9E-B	027-2000-6424	FGS-SH9E-B	027-2000-6425
15	45° Upsweep	FGS-MU4E-B	027-1000-6487	FGS-SU4E-B	027-1000-6474
15	90° Upsweep	FGS-MU9E-B	027-1000-6473	Included	027-1000-6485
16	45° Downsweep	FGS-MD4E-B	027-1000-6488	FGS-SD4E-B	027-1000-6483

4" x 6" Mounting Support Kits	Commscope FiberGuide	Amphenol WaveTrax
Center below bracket	FGS-HTUB-XX	027-1000-4052
C-bracket	FGS-HNTS-XX	027-1000-4053
Cable rack bracket	FGS-HNLR-AB	027-1000-4062
Threaded rod bracket	FGS-HNTR-XX, FGS-HETR-XX	027-1000-4051
All-thread kit	FGS-HTHR, FGS-HLDR	027-1000-4002

4" x 12" Systems

Diagram No.	Description	Part Number		Cover/Lid	
		Commscope FiberGuide	Amphenol WaveTrax	Commscope FiberGuide	Amphenol WaveTrax
1	Trough (6' section)	FGS-MSHS-F	027-2000-12406	FGS-MSSC-F	027-2000-12402
2	12" x 6" Reducer	FGS-MDSA-FB	027-2000-12450	FGS-SDSA-FB	027-2000-12451
3	Trumpet attachment	FGS-MTRM-F	027-2000-12475	N/A	N/A
4	End cap; requires end attachment	FGS-HMEC-F	027-2000-12408	N/A	N/A
	End attachment	N/A	027-2000-12409	N/A	N/A
7	T-transition	FGS-MHRT-F	027-2000-12410	FGS-SHRT-F	027-2000-12411
9	Center drop with 6" opening	FGS-MDSP-F	027-1000-12426	FGS-SDSP-F	
10	Intersection	FGS-MHXP-F	027-2000-12430	FGS-SHXP-F	027-2000-12431
11	Drop attachment	FGS-MDSP-F	027-2000-12477	FGS-SDSP-F	027-2000-12478
12	45° Elbow	FGS-MH4E-F	027-1000-12489	FGS-SH4E-F	027-1000-12485
13	Coupling kit	FGS-MFAW-F	027-1000-12499	N/A	N/A
14	L-transition	FGS-MH9E-F	027-2000-12424	FGS-SH9E-F	027-2000-12425
15	45° Upsweep	FGS-MU4E-F	027-1000-12487	FGS-SU4E-F	
15	90° Upsweep	N/A	027-1000-12473	N/A	
16	45° Downsweep	FGS-MD4E-F	027-1000-12488	FGS-SD4E-F	

4" x 12" Mounting Support Kits	Commscope FiberGuide	Amphenol WaveTrax
Center below bracket	FGS-HTUB-F-XX	027-1000-1250
C-bracket	FGS-HNTS-F-XX	027-1000-1253
Cable rack bracket	FGS-HETP-F-XX	027-1000-12406
Threaded rod bracket	FGS-HNTR-F-XX, FGS-HETR-F-XX	027-1000-12405
All-thread kit	FGS-HTHR, FGS-HLDR	027-1000-4002

4" x 24" Systems

Diagram No.	Description	Part Number	
		Commscope FiberGuide	Amphenol WaveTrax
1	24" Trough (6' section)	FGS-MSHS-H	027-2000-24406
2	24" x 12" Reducer	FGS-MDSA-HF	027-2000-24450
3	24" Trumpet	FGS-MTRM-H	027-2000-24475
4	24" End Cap	FGS-HMEC-H	027-2000-24408
7	T-transition 3x24"	FGS-MHRT-H	027-2000-24410
7	T-transition 2x24" and 1x12"	FGS-MHRT-H/F	027-2000-24112
10	Horizontal Cross 4x24"	FGS-MHXP-H	027-2000-24430
10	Horizontal Cross 2x24" and 2x12"	FGS-MHXP-F/H	027-2000-24212
12	45° Elbow	FGS-MH4E-H	027-2000-24424
13	24" Coupler	FGS-MFAW-H	027-2000-24499

Express Exits

Diagram No.	Description	Part Number		Cover/Lid	
		Commscope FiberGuide	Amphenol WaveTrax	Commscope FiberGuide	Amphenol WaveTrax
8	2" Express off-ramp/exit for 4" and 6" trough	FGS-MEXP-A/B/F	027-2000-4262	Included	027-2000-4263
8	4" Express off-ramp/exit for 4" and 6" trough	FGS-MEXP-E-A/B/F	027-2000-4062	Included	027-1000-4066
8	2" Express off-ramp/exit for 12" and 24" trough	FGS-MEXP-A/B/F	027-2000-12262	Included	027-2000-4263
8	4" Express off-ramp/exit for 12" and 24" trough	FGS-MEXP-E-A/B/F	027-2000-12462	Included	027-1000-4066
8	12" Express off-ramp for 12" and 24" trough	N/A	027-2000-24122	N/A	N/A
8	6" Express T-Transition for 4/6/12/24" trough	N/A	027-2000-6412	N/A	027-2000-6413
8	12" Express T-Transition for 4/6/12/24" trough	N/A	027-2000-12412	N/A	027-2000-12413
6	2" Flex tube attachment	FGS-MEX1-C	027-2000-2016	N/A	N/A
6	4" Flex tube attachment, single	FGS-KT03-A	027-2000-2000	N/A	027-2000-4018
6	4" Flex tube attachment, dual	FGS-KT03-B	027-2000-4016	N/A	027-2000-4018

4" x 24" Mounting Support Kits	Commscope FiberGuide	Amphenol WaveTrax
Trapeze Bracket	FGS-HETP-H-5/8	027-1000-24581
Variable Support for 24" Transition with 12" Exits	FGS-MHXP-F/H-VS	027-1000-24412
Variable Support for 24" Transitions	FGS-MHXP-H-VS	027-1000-24124