

# C2X Fiber Distribution Panel

## Ordering Guide



**Amphenol**  
NETWORK SOLUTIONS™

## Table of Contents

|  |    |
|--|----|
| Overview .....   | 3  |
| C21 Configuration.....                                 | 3  |
| C21 Configuration Matrix .....                         | 4  |
| C2X 2RU, 3RU & 4RU Bulkhead Configuration .....        | 5  |
| C2X 2RU, 3RU & 4RU Bulkhead Configuration Matrix ..... | 6  |
| C2X Patch Part Number Examples.....                    | 7  |
| C2X Patch & Splice Part Number Examples.....           | 8  |
| C2X Pre-Terminated Part Configurator.....              | 9  |
| C2X Pre-Terminated Part Number Examples .....          | 10 |
| Chassis Accessories .....                              | 11 |
| Part Numbers .....                                     | 11 |
| Saddle Clamp.....                                      | 12 |
| Cable Clamp application table .....                    | 13 |
| Advanced Optical Modules - AOMs .....                  | 14 |
| Chassis .....  | 14 |
| Empty Chassis Part Numbers .....                       | 14 |
| Chassis Part Numbers including trays for AOMs.....     | 14 |

## List of Figures

|  |    |
|--|----|
| Fig. 1: C21.....   | 3  |
| Fig. 2: C21 96 Fiber LC .....                                | 4  |
| Fig. 3: C2X 2RU, 3RU & 4RU Options.....                      | 5  |
| Fig. 4: C2X 3RU rear view .....                              | 6  |
| Fig. 5: C2X 3RU Patch only.....                              | 7  |
| Fig. 6: C2X 3RU .....  | 8  |
| Fig. 7: C2X Pre-terminated Chassis.....                      | 9  |
| Fig. 8: C2X Pre-term rear view .....                         | 10 |
| Fig. 9: C2X 3RU and cable clamp options .....                | 11 |
| Fig. 10: Saddle Clamp – Inward and outward installation..... | 12 |
| Fig. 11: LC to MPO AOMs in C2X tray.....                     | 14 |
| Fig. 12: C2X 3RU Chassis.....                                | 14 |

## Overview

The C2X chassis is a streamlined bulkhead solution capable of supporting multiple configurations such as: patch, patch/splice or pre-terminated.

Available in 1RU, 2RU, 3RU and 4RU, the C2X is adaptable for use in any network application. Mount the C2X chassis in a 19-inch or 23-inch rack or cabinet with the reversible mounting brackets. Deploy all MPO trunk cable types, fiber up to 3.0 mm, and any boot type. Cable management fingers help to support and organize the fiber as it exits the chassis. The design promotes proper bend radius for all fiber up to 3.0 mm. The C2X presents a truly usable high-density fiber connectivity solution with the benefits of a bulkhead-based design.

## C21 Configuration

The new C21 features a sliding tray that eases finger access to the patch area in the front. The tray also can be removed to improve the splicing experience. This 1RU panel is available in multiple configurations such as: Patch only, patch/splice and pre-terminated with wide range of cable types (page 9)\*.

Cable management features including multiple tie-off points, ring holders for cables and front provisions to secure the fiber jumpers with hook-and-loop fasteners.

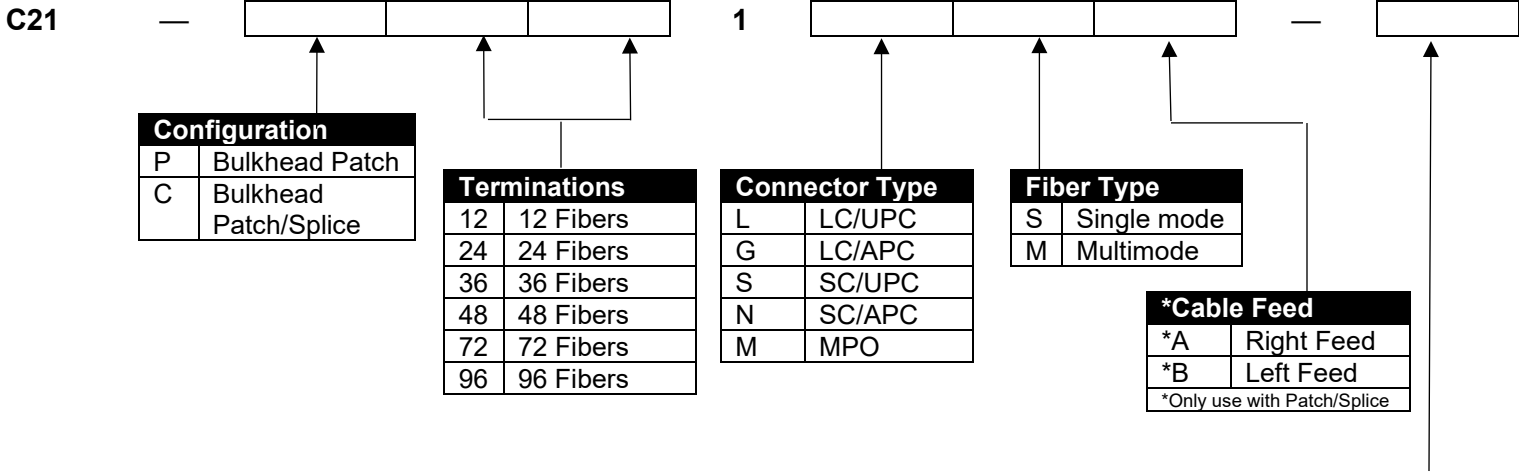
Removable protective covers improve access to the splicing and patch areas.



Fig. 1: C21

*\*Please contact Application Engineering for more information, part numbers and configurations*

# C21 Configuration Matrix



| Configuration Capacities   |                       |                           |                       |
|----------------------------|-----------------------|---------------------------|-----------------------|
| Application                | Max Capacity SC Ports | Max Capacity MPO Adapters | Max Capacity LC Ports |
| Bulkhead Patch             | 48                    | 8 (96F)                   | 96                    |
| Single Fusion Patch/Splice | 48                    | N/A                       | 48                    |
| Mass Fusion Patch/Splice   | 48                    | 8 (96F)                   | 96                    |

| **Multi-Fiber Cable Type  |               |
|---|---------------|
| **S   | Single Fusion |
| **R   | Mass Fusion   |
| **Only use with Patch/Splice Part numbers. MPO is Mass Fusion only. |               |

| Advanced Optical Modules - AOMs  |                    |                                 |                        |              |
|--|--------------------|---------------------------------|------------------------|--------------|
| RUs  | Number of Adapters | Number of Single Cassettes (HX) | Max SC or MPO Adapters | Max LC Ports |
| 1  | 3                  | 6                               | 36                     | 72           |
| Note: Advanced Optical Modules (AOMs) require adapter 1027808 to be installed. One adapter holds two AOMs, and there is space for three adapters in the C21 chassis. |                    |                                 |                        |              |

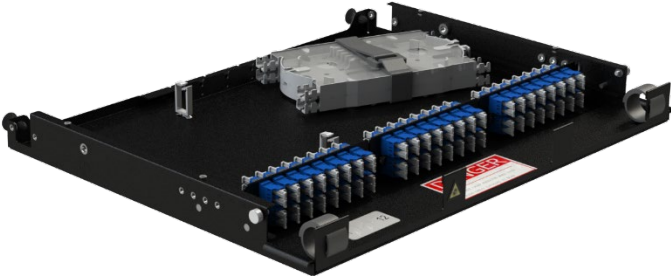


Fig. 2: C21 96 Fiber LC

# C2X 2RU, 3RU & 4RU Bulkhead Configuration

C2X 2RU, 3RU & 4RU platform can be configured as a bulkhead solution or modular solution. Bulkhead C2X supports Patch only, Patch/Splice and pre-term configurations

For a modular solution, you can also deploy any mix of Advanced Optical Modules - AOMs into these C2X chassis.

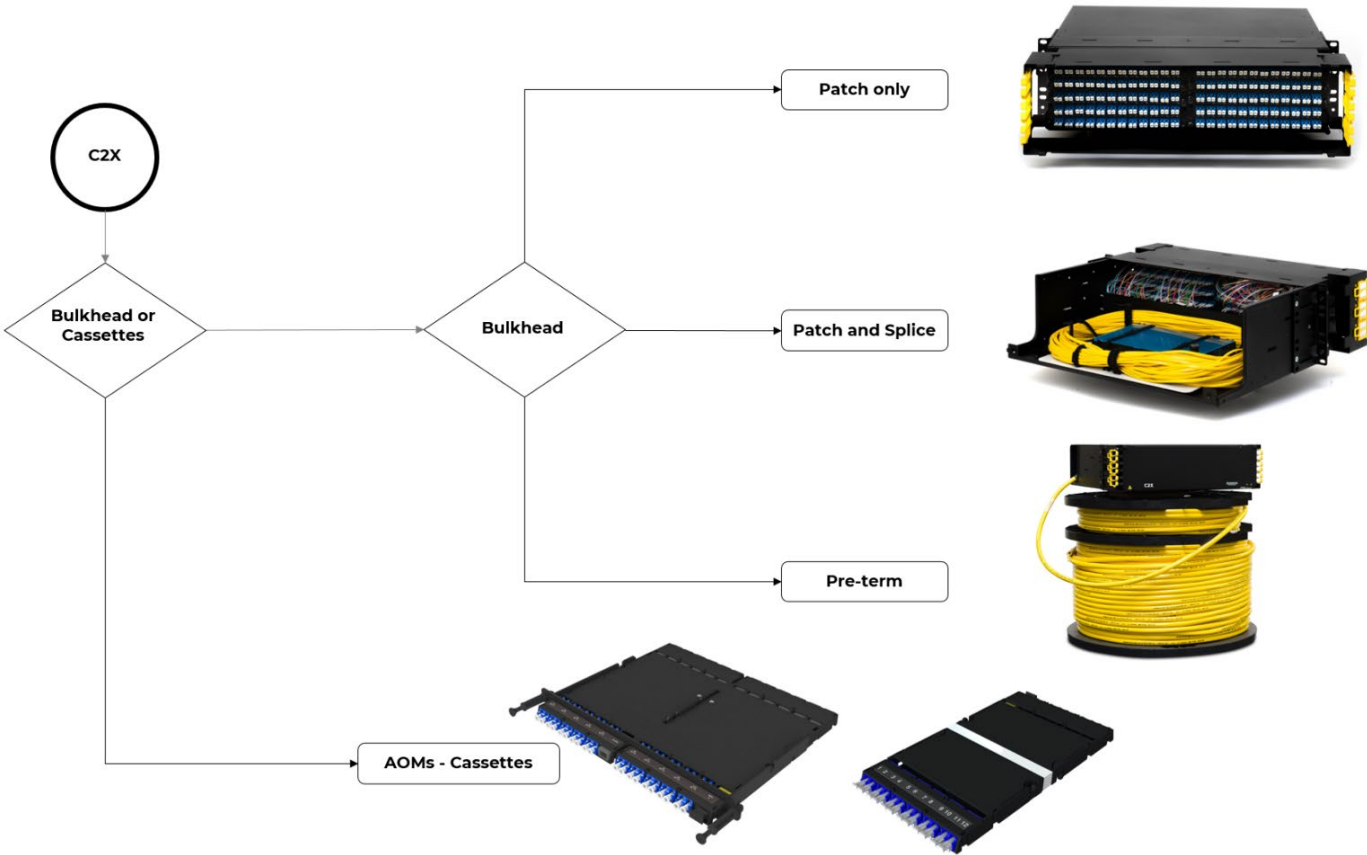
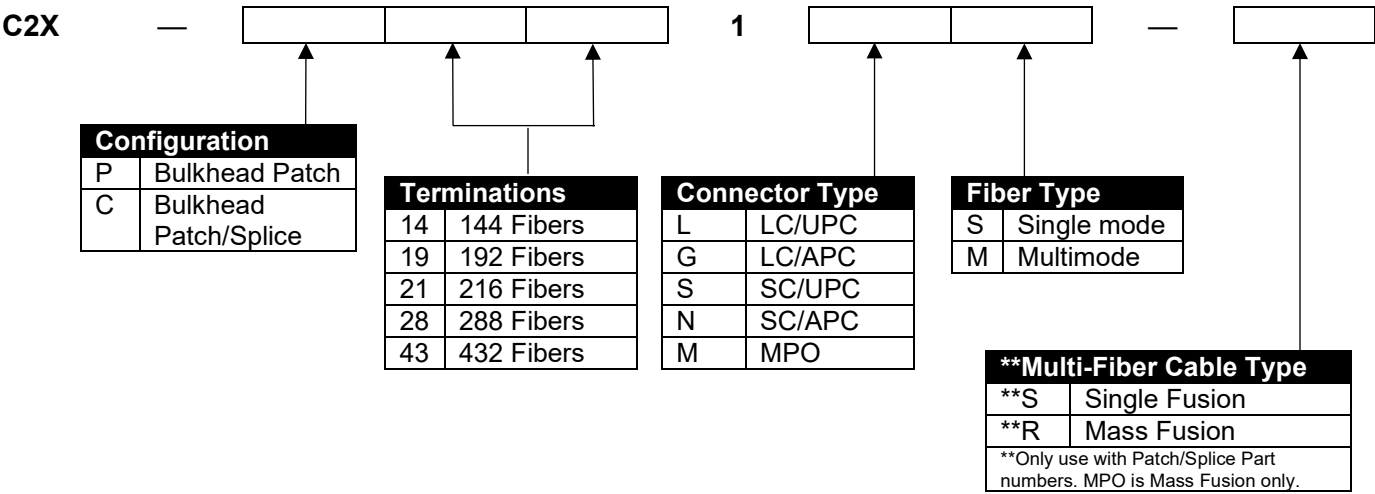


Fig. 3: C2X 2RU, 3RU & 4RU Options

# C2X 2RU, 3RU & 4RU Bulkhead Configuration Matrix



| Bulkhead Patch Configurations |                        |              |
|-------------------------------|------------------------|--------------|
| RUs                           | Max SC or MPO Adapters | Max LC Ports |
| 2                             | 96                     | 192          |
| 3                             | 144                    | 288          |
| 4                             | 216                    | 432          |



Fig. 4: C2X 3RU rear view

## C2X Patch Part Number Examples

| Part Number | Description                                       |
|-------------|---|
| C21-P241NSB | C2X PATCH CHASSIS 1RU: 24F SC/APC SINGLEMODE      |
| C21-P481GSA | C2X PATCH CHASSIS 1RU: 48F LC/APC SINGLEMODE      |
| C21-P481SSA | C2X PATCH CHASSIS 1RU: 48F SC/UPC SINGLEMODE      |
| C21-P961LMB | C2X PATCH CHASSIS 1RU: 96F LC/UPC MULTIMODE       |
| C21-P961LS  | C2X PATCH CHASSIS 1RU: 96F LC/UPC SINGLEMODE      |
| C2X-P141LS  | C2X PATCH CHASSIS 2RU: 144F LC/UPC SINGLEMODE     |
| C2X-P191LS  | C2X PATCH CHASSIS 2RU: 192F LC/UPC SINGLEMODE     |
| C2X-P281LS  | C2X PATCH CHASSIS 3RU: 288F LC/UPC SINGLEMODE     |
| C2X-P431LS  | C2X PATCH CHASSIS 4RU: 432F LC/UPC SINGLEMODE     |
| C2X-P141GS  | C2X PATCH CHASSIS 2RU: 144F LC/APC SINGLEMODE     |
| C2X-P191GS  | C2X PATCH CHASSIS 2RU: 192F LC/APC SINGLEMODE     |
| C2X-P281GS  | C2X PATCH CHASSIS 3RU: 288F LC/APC SINGLEMODE     |
| C2X-P431GS  | C2X PATCH CHASSIS 4RU: 432F LC/APC SINGLEMODE     |
| C2X-P721SS  | C2X PATCH CHASSIS 2RU: 72F SC/UPC SINGLEMODE      |
| C2X-P961SS  | C2X PATCH CHASSIS 2RU: 96F SC/UPC SINGLEMODE      |
| C2X-P141SS  | C2X PATCH CHASSIS 3RU: 144F SC/UPC SINGLEMODE     |
| C2X-P211SS  | C2X PATCH CHASSIS 4RU: 216F SC/UPC SINGLEMODE     |
| C2X-P961NS  | C2X PATCH CHASSIS 2RU: 96F SC/APC SINGLEMODE      |
| C2X-P141NS  | C2X PATCH CHASSIS 3RU: 144F SC/APC SINGLEMODE     |
| C2X-P211NS  | C2X PATCH CHASSIS 4RU: 216F SC/APC SINGLEMODE     |
| C2X-P141LM  | C2X PATCH CHASSIS 2RU: 144F LC/UPC MULTIMODE AQUA |
| C2X-P191LM  | C2X PATCH CHASSIS 2RU: 192F LC/UPC MULTIMODE AQUA |
| C2X-P281LM  | C2X PATCH CHASSIS 3RU: 288F LC/UPC MULTIMODE AQUA |
| C2X-P431LM  | C2X PATCH CHASSIS 4RU: 432F LC/UPC MULTIMODE AQUA |

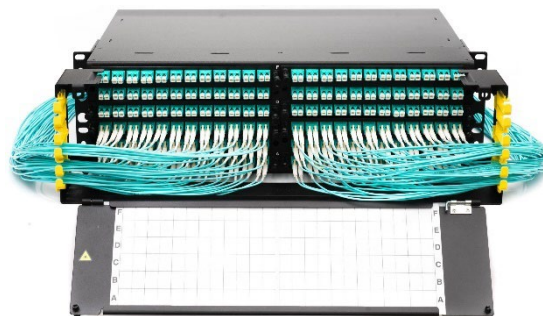


Fig. 5: C2X 3RU Patch only

## C2X Patch & Splice Part Number Examples

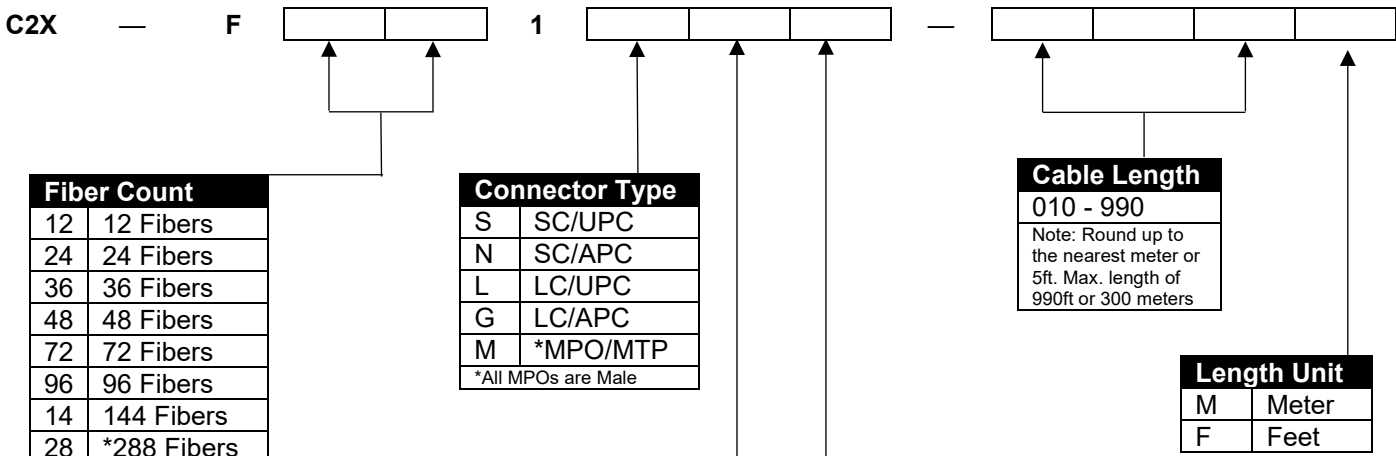
| Part Number   | Description  |
|---------------|--|
| C21-C241NSB-R | C2X PATCH SPLICE CHASSIS 1RU: 24F SC/APC SINGLEMODE RIBBON 6FT BREAKOUT LEFT |
| C21-C481GSA-S | C2X PATCH SPLICE CHASSIS 1RU: 48F LC/APC SINGLEMODE STRANDED 1.5M BREAKOUT   |
| C21-C481SSA-S | C2X PATCH SPLICE CHASSIS 1RU: 48F SC/UPC SINGLEMODE STRANDED 1.5M BREAKOUT   |
| C21-C961LMB-R | C2X PATCH SPLICE CHASSIS 1RU: 96F LC/UPC MULTIMODE RIBBON 6FT BREAKOUT       |
| C21-C961LSB-R | C2X PATCH SPLICE CHASSIS 1RU: 96F LC/UPC SINGLEMODE RIBBON 6FT BREAKOUT      |
| C21-C241NSB-R | C2X PATCH SPLICE CHASSIS 1RU: 24F SC/APC SINGLEMODE RIBBON 6FT BREAKOUT      |
| C2X-C141LS-R  | C2X PATCH SPLICE CHASSIS 2RU: 144F LC/UPC SINGLEMODE RIBBON 3M BREAKOUT      |
| C2X-C191LS-R  | C2X PATCH SPLICE CHASSIS 2RU: 192F LC/UPC SINGLEMODE RIBBON 3M BREAKOUT      |
| C2X-C281LS-R  | C2X PATCH SPLICE CHASSIS 3RU: 288F LC/UPC SINGLEMODE RIBBON 3M BREAKOUT      |
| C2X-C431LS-R  | C2X PATCH SPLICE CHASSIS 4RU: 432F LC/UPC SINGLEMODE RIBBON 3M BREAKOUT      |
| C2X-C721SS-R  | C2X PATCH SPLICE CHASSIS 2RU: 72F SC/UPC SINGLEMODE RIBBON 3M BREAKOUT       |
| C2X-C961SS-R  | C2X PATCH SPLICE CHASSIS 2RU: 96F SC/UPC SINGLEMODE RIBBON 3M BREAKOUT       |
| C2X-C141SS-R  | C2X PATCH SPLICE CHASSIS 3RU: 144F SC/UPC SINGLEMODE RIBBON 3M BREAKOUT      |
| C2X-C211SS-R  | C2X PATCH SPLICE CHASSIS 4RU: 216F SC/UPC SINGLEMODE RIBBON 3M BREAKOUT      |
| C2X-C141GS-S  | C2X PATCH SPLICE CHASSIS 2RU: 144F LC/APC SINGLEMODE STRANDED 3M BREAKOUT    |
| C2X-C191GS-S  | C2X PATCH SPLICE CHASSIS 2RU: 192F LC/APC SINGLEMODE STRANDED 3M BREAKOUT    |
| C2X-C281GS-S  | C2X PATCH SPLICE CHASSIS 3RU: 288F LC/APC SINGLEMODE STRANDED 3M BREAKOUT    |
| C2X-C431GS-S  | C2X PATCH SPLICE CHASSIS 4RU: 432F LC/APC SINGLEMODE STRANDED 3M BREAKOUT    |
| C2X-C721NS-S  | C2X PATCH SPLICE CHASSIS 2RU: 72F SC/APC SINGLEMODE STRANDED 3M BREAKOUT     |
| C2X-C961NS-S  | C2X PATCH SPLICE CHASSIS 2RU: 96F SC/APC SINGLEMODE STRANDED 3M BREAKOUT     |
| C2X-C141NS-S  | C2X PATCH SPLICE CHASSIS 3RU: 144F SC/APC SINGLEMODE STRANDED 3M BREAKOUT    |
| C2X-C211NS-S  | C2X PATCH SPLICE CHASSIS 4RU: 216F SC/APC SINGLEMODE STRANDED 3M BREAKOUT    |



Fig. 6: C2X 3RU



# C2X Pre-Terminated Part Configurator



\*When mounting options is "X", a 2x144F option is configured

| Multi-Fiber Cable Type |  |
|------------------------|--|
| 1                      | *Stranded SM, Riser Rated, Pigtail                 |
| 2                      | *Stranded SM, Plenum Rated, Pigtail                |
| 3                      | Ribbon Fiber SM, Riser Rated, Pigtail              |
| 4                      | Ribbon Fiber MM, Riser Rated, Pigtail              |
| 5                      | *Stranded MM, Riser Rated, Pigtail, OM4            |
| 6                      | *Stranded MM, Plenum Rated, Pigtail, OM4           |
| 8                      | Loose Tube SM, OSP Rated, Pigtail                  |
| 9                      | Ribbon Fiber SM, OSP Rated, Pigtail                |
| C                      | Loose Tube SM, Indoor/Outdoor Riser Rated, Pigtail |

\*Stranded is type G.657 - Micro Distribution  
Note: Other fiber cable types available, please contact Inside Sales

| Multi-Fiber Cable Mounting & Feed Direction (When facing front of chassis) |   |
|--|---|
| F  | Center-right mount/Internal clamping    |
| G  | Center-left mount/Internal clamping     |
| X  | Dual Left/Right mount/Internal clamping |

Note: Internal clamp can be moved to either the right or left side during installation



Fig. 7: C2X Pre-terminated Chassis

## C2X Pre-Terminated Part Number Examples

| Part Number      | Description  |
|------------------|--|
| C2X-F141L3F-020M | C2X PRE-TERM CHASSIS 2RU: 144F STRANDED MICRO DISTRIBUTION SM LC/UPC 20M STUB, CENTER-RIGHT MOUNT, INTERNAL CLAMPING |
| C2X-F141L3F-040M | C2X PRE-TERM CHASSIS 2RU: 144F STRANDED MICRO DISTRIBUTION SM LC/UPC 40M STUB, CENTER-RIGHT MOUNT, INTERNAL CLAMPING |
| C2X-F141L3F-060M | C2X PRE-TERM CHASSIS 2RU: 144F STRANDED MICRO DISTRIBUTION SM LC/UPC 60M STUB, CENTER-RIGHT MOUNT, INTERNAL CLAMPING |
| C2X-F281L3G-020M | C2X PRE-TERM CHASSIS 3RU: 288F STRANDED MICRO DISTRIBUTION SM LC/UPC 20M STUB, CENTER-LEFT MOUNT, INTERNAL CLAMPING  |
| C2X-F281L3G-040M | C2X PRE-TERM CHASSIS 3RU: 288F STRANDED MICRO DISTRIBUTION SM LC/UPC 40M STUB, CENTER-LEFT MOUNT, INTERNAL CLAMPING  |
| C2X-F281L3G-060M | C2X PRE-TERM CHASSIS 3RU: 288F STRANDED MICRO DISTRIBUTION SM LC/UPC 60M STUB, CENTER-LEFT MOUNT, INTERNAL CLAMPING  |
| C2X-F961S2F-080M | C2X PRE-TERM CHASSIS 2RU:96F STRANDED PLENUM SM SC/UPC 80M STUB, CENTER-RIGHT MOUNT, INTERNAL CLAMPING               |
| C2X-F281L3G-100F | C2X PRE-TERM CHASSIS 3RU:288F RIBBON SM LC/UPC 100F STUB, CENTER-LEFT MOUNT, INTERNAL CLAMPING                       |
| C2X-F281M3G-100F | C2X PRE-TERM CHASSIS 2RU:288F RIBBON SM MPO 100F STUB, CENTER-LEFT MOUNT, INTERNAL CLAMPING                          |



Fig. 8: C2X Pre-term rear view

## Chassis Accessories

### Part Numbers

| Part Number | Description  |
|-------------|--|
| C2X-TRAY    | C2X TRAY EMPTY: COMPATIBLE WITH SINGLE OR DUAL C2 MODULE |
| C2X-BLANK   | C2X BLANKING PLATE, 1 TRAY                               |
| C2X-SPLS36  | C2X SPLICE CASSETTE, 36F SINGLE FUSION WITH SLEEVES      |
| C2X-SPT-2RU | SPLICE TRAY KIT, 2RU                                     |
| C2X-SPT-3RU | SPLICE TRAY KIT, 3RU                                     |
| C2X-SPT-4RU | SPLICE TRAY KIT, 4RU                                     |
| C2X-CLAMP   | CLAMP ASSY:C2X,HARDWARE,BRKT, .4" - 1.25" DIA, STRAIGHT  |
| C2X-CLAMP-A | CLAMP ASSY:C2X,HARDWARE,BRKT, .4" - 1.25" DIA, ANGLED    |
| C2-CLMP-LF  | EXTERNAL CLAMP, LEFT, FIXED DIAMETER                     |
| C2-CLMP-RF  | EXTERNAL CLAMP, RIGHT, FIXED DIAMETER                    |
| C2-CLMP-LV  | EXTERNAL CLAMP, LEFT, VARIABLE DIAMETER                  |
| C2-CLMP-RV  | EXTERNAL CLAMP, RIGHT, VARIABLE DIAMETER                 |
| KIT-CLMP-C2 | C2 SADDLE CLAMP KIT                                      |
| C2-CLMP-ANG | BRACKET KIT: CABLE TIE OFF, 3 POSITION, ANGLED           |
| C2-CLMP-SMB | BRACKET KIT: STRENGTH MEMBER, MAX CABLE DIAMETER 0.78    |

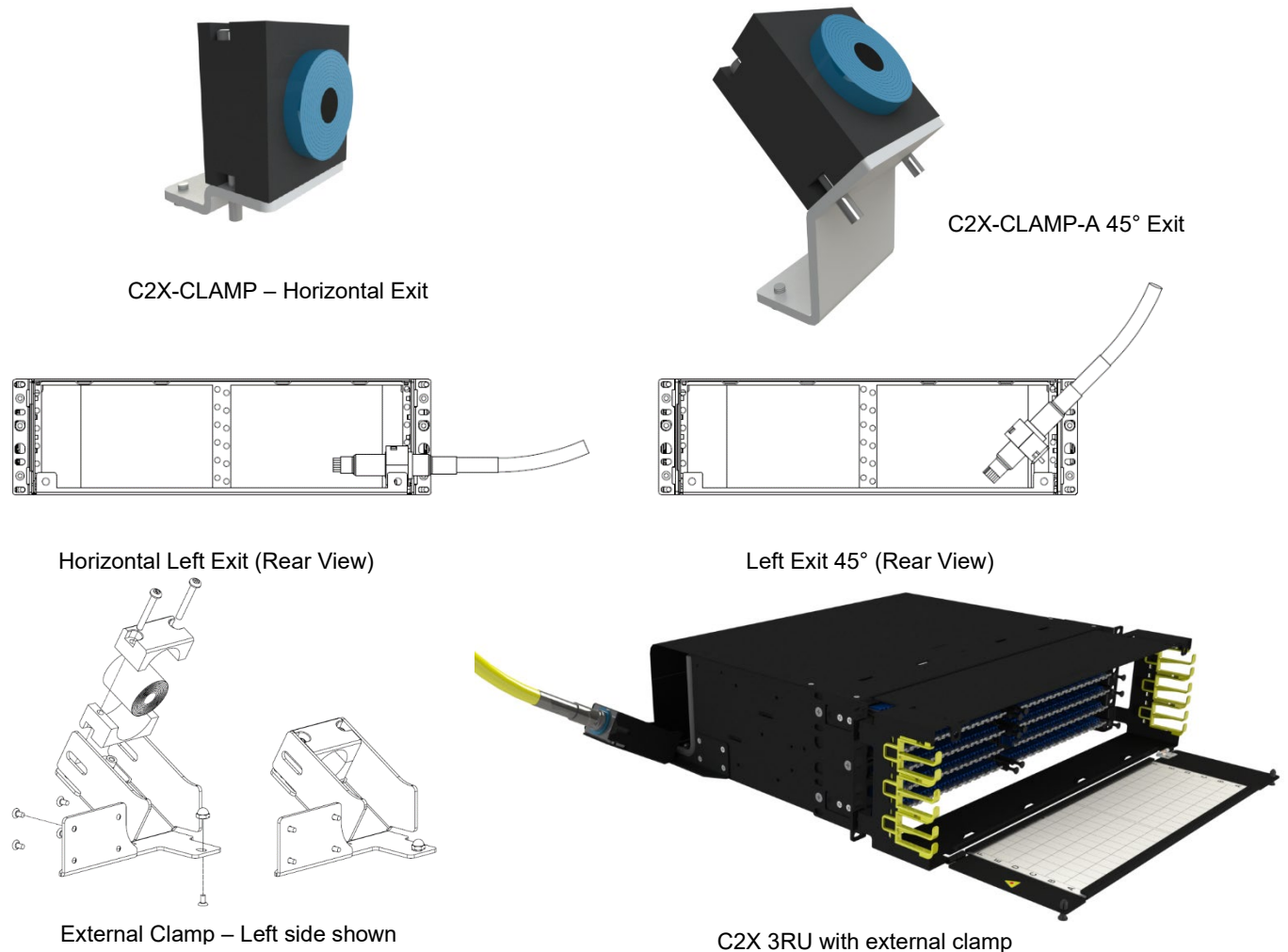
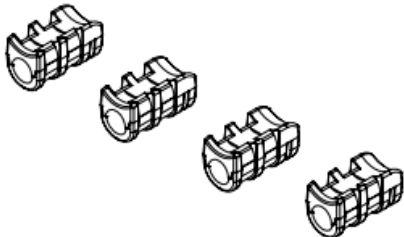


Fig. 9: C2X 3RU and cable clamp options

# Saddle Clamp

C2 Saddle cable clamp mounts directly to C2X chassis in a very innovative way. Saddle clamp assembly can support a variety of incoming fiber jumpers and trunk cable bundles (19mm Max.), it can be mounted on any surface of the back of the C2X chassis (2RU, 3RU or 4RU) and multiple saddle clamps can be used. Installation kit includes 4 saddle clamps.



C2 Saddle Cable Clamp Kit  
**KIT-CLMP-C2**

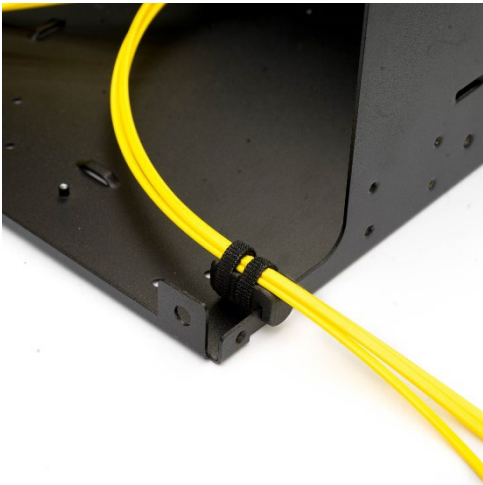
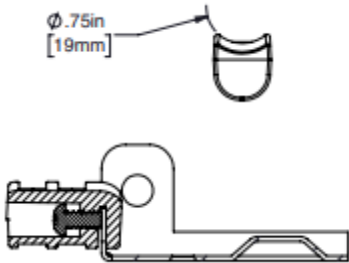


Fig. 10: Saddle Clamp – Inward and outward installation

| C2X | Saddle Clamps Qty |
|-----|-------------------|
| 2RU | 6 per side = 12   |
| 3RU | 9 per side = 18   |
| 4RU | 12 per side = 24  |

## Cable Clamp application table

- ✓ Application and Clamp compatible
- ✓✓ Recommended Clamp for specific application

| Panel   | Application      | Internal Clamp |        | External Clamp | Saddle Clamp |
|---------|------------------|----------------|--------|----------------|--------------|
|         |                  | Straight       | Angled |                |              |
| C2X-02U | Patch only       | ✓              |        | ✓              | ✓✓           |
|         | Patch and Splice |                |        | ✓✓             | ✓            |
|         | Preterm          | ✓✓             |        | ✓              |              |
|         | AOMs             | ✓              |        | ✓              | ✓✓           |
| C2X-03U | Patch only       | ✓              | ✓      | ✓              | ✓✓           |
|         | Patch and Splice |                |        | ✓✓             | ✓            |
|         | Preterm          | ✓✓             | ✓      | ✓              |              |
|         | AOMs             | ✓              | ✓      | ✓              | ✓✓           |
| C2X-04U | Patch only       | ✓              | ✓      | ✓              | ✓            |
|         | Patch and Splice |                |        | ✓✓             | ✓            |
|         | AOMs             | ✓              | ✓      | ✓              | ✓✓           |

## Advanced Optical Modules - AOMs

- Patch only
- Patch and splice
- Pre-terminated
- MPO Base-8, 12 & 24 fiber systems
- TAPs
- Splitters
- CWDM & DWDM



Note: For AOM part numbers, see [AOM ordering guide](#)

Fig. 11: LC to MPO AOM in C2X tray

## Chassis

### Empty Chassis Part Numbers

| Part Number | Description  |
|-------------|--|
| C2X-02U     | C2X CHASSIS, 2RU, FOR UP TO 8 TRAYS/16 MODULES (HX)  |
| C2X-03U     | C2X CHASSIS, 3RU, FOR UP TO 12 TRAYS/24 MODULES (HX) |
| C2X-04U     | C2X CHASSIS, 4RU, FOR UP TO 16 TRAYS/32 MODULES (HX) |

### Chassis Part Numbers including trays for AOMs

| Part Number | Description   |
|-------------|---|
| C2X-02U-T   | C2X CHASSIS, 2RU, INCLUDES 8 TRAYS FOR UP TO 16 MODULES (HX)  |
| C2X-03U-T   | C2X CHASSIS, 3RU, INCLUDES 12 TRAYS FOR UP TO 24 MODULES (HX) |
| C2X-04U-T   | C2X CHASSIS, 4RU, INCLUDES 16 TRAYS FOR UP TO 32 MODULES (HX) |

| Advanced Optical Modules - AOMs |                 |                                |                        |              |
|---------------------------------|-----------------|--------------------------------|------------------------|--------------|
| RUs                             | Number of trays | Number of Single Cassette (HX) | Max SC or MPO Adapters | Max LC Ports |
| 2                               | 8               | 16                             | 96                     | 192          |
| 3                               | 12              | 24                             | 144                    | 288          |
| 4                               | 16              | 32                             | 192                    | 384          |



Fig. 12: C2X 3RU Chassis

Note: Advance Optical Modules – AOMs require C2X-TRAY to be installed. Each tray houses 2 single AOMs or 1 dual AOM