

## Overview

The Amphenol Network Solutions CableLinks® provide super vertical fiber optic cable management that complements traditional overhead fiber duct and enables flexible cable routing for all applications.

Fully compatible with raceway systems such as Amphenol Network Solutions WaveTrax® and CommScope's FiberGuide® Fiber Management System, CableLinks are articulating, snap-together links that create a flexible pathway for cabling while protectively maintaining bend radius.

Ideal for vertical cable management on a frame or for negotiating tight areas, CableLinks fit in a variety of network environments. Choose from 2-inch, 4-inch and 6-inch components based on capacity requirements.

## Primary Benefits

- Provides a complete rack cable management solution – from racked equipment to overhead trough
- Can be used with Cat 5, Cat 6 and optical cable
- Provides the flexibility of split tube, the manageability of slotted duct and advanced versatility
- Clean and fast installation – parts snap together with no sawing or cutting required
- Flexible links mean that racks do not have to be perfectly aligned to overhead troughs and drops
- Made of high-quality materials for durability

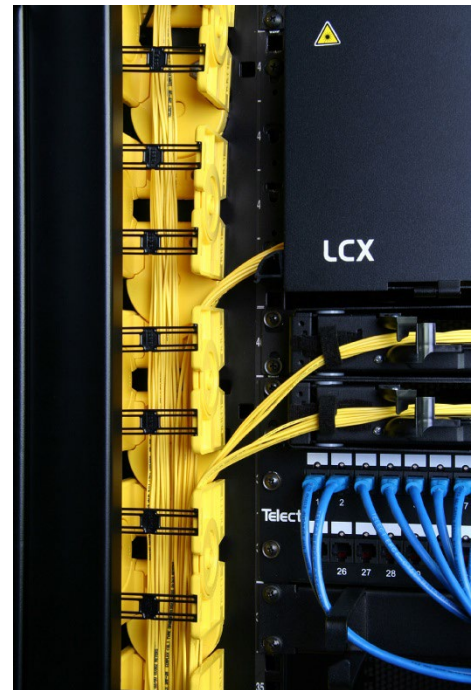
## Applications

- Vertical cable management
- On-frame management



2" CableLinks  
027-0000-4200

*CommScope, FiberGuide, and Express Exit are registered trademarks of CommScope, Inc. of North Carolina and CommScope Technologies LLC. CommScope does not sponsor or endorse Amphenol, its products, or use of its trademarks.*



Above: CableLinks provides an ideal solution for on-frame cable management, helping to protect cabling while delivering patch cords to rack mounted equipment.



Above: The flexibility of CableLinks provides a distinct advantage when routing cable from overhead trough into the equipment rack. Frames need not align perfectly with overhead drops.

## CableLinks

## Ordering Information

### CableLinks

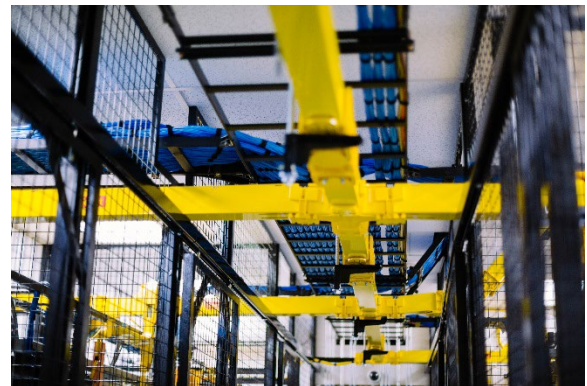
Part Number	Description
027-0000-4200	2" x 2" CableLinks, Single Link, Yellow
027-0000-42PLT	Pallet, Yellow Links (1,664 total)
027-0000-4000	4" x 4" CableLinks, Single Link, Yellow
027-0000-6400	4" x 6" CableLinks, Single Link, Yellow
027-1000-4211	2" Rack Mounting Bracket, Adjustable Bracket for CableLinks



CableLinks flexes both horizontally and vertically

### Adapters: CableLinks to Overhead Express Off-Ramp

Part Number	Description
027-2000-6415	6" CableLinks Adapter to Overhead Express Off-Ramp
027-1000-6472	6" to 2" CableLinks Adapter to Overhead Express Off-Ramp
027-2000-4015	4" CableLinks Adapter to Overhead Express Off-Ramp
027-2000-4215	4" to 2" CableLinks Adapter to Overhead Express Off-Ramp
027-1000-4207	2" CableLinks Adapter to Overhead Express Off-Ramp
NOTE: Item included in 2" Express Off-Ramp, part number 027-2000-4265.	



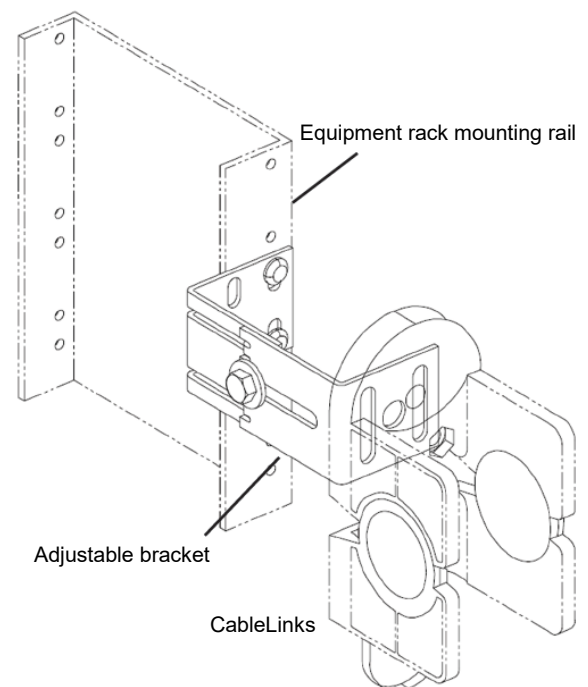
Horizontal installation of CableLinks around and through obstacles

### Adapters: CableLinks to Inline Trough

Part Number	Description
027-1000-6490	6" CableLinks Adapter to Inline Trough
027-2000-4090	4" CableLinks Adapter to Inline Trough
027-1000-4207	2" CableLinks Adapter to Inline Trough

### Specifications

Material	UL94V-0 Fire Retardant Plastic
Capacity	2": 400 3 mm fibers 4": 800 3 mm fibers 6": 1,000 3 mm fibers
Links per foot	2": 3 4": 1.5 6": Approx. 1.3
Agency compliance	NEBS 3, ETSI



Isometric diagram of adjustable CableLinks rack-mounting bracket